

# DESIGNER LINE REFRIGERATOR/FREEZER

## Model: D3RFFEN

Natural Refrigerant R-290 Model

*Designer Line*

### 3-Section Extra-Wide Dual Temp Side-By-Side Reach-In Refrigerator/Freezer (0°F)

**D3RFFEN** - Stainless steel front, aluminum end panels and interior

**D3RFFENSA** - Stainless steel exterior, aluminum interior

**D3RFFENSS** - Stainless steel exterior and interior



## Options and Accessories

(upcharge and lead times may apply)

Stainless steel case back	Shallow depth (consult factory)
Additional epoxy coated steel shelves	Hinged glass doors (consult factory)
Chrome or stainless steel shelves	Increased refrigeration systems
Pan slide assemblies	Special electrical req. (consult factory)
Rehinging of doors (consult factory)	<b>Correctional Facility Options</b>
Wine rack (refrigerator section)	<ul style="list-style-type: none"> <li>One way security screws</li> </ul>
Casters	<ul style="list-style-type: none"> <li>Locking hasp (lock not included)</li> </ul>
Custom laminates	<ul style="list-style-type: none"> <li>Stainless steel mesh cover</li> </ul>
Half doors	<ul style="list-style-type: none"> <li>Coverless hinges</li> </ul>
Pass-thru (consult factory)	

Consult factory for other model configurations, options and accessories.

**Continental**  
Refrigerator

Toll-Free: 800-523-7138

Phone: 215-244-1400

Fax: 215-244-9579

539 Dunksferry Road  
Bensalem, PA 19020  
www.continentalrefrigerator.com

Project Name:

Model Specified:

Location:

Item No:

Quantity:

AIA #:

SIS #:

## Standard Model Features

### REFRIGERATION SYSTEM

Separate, self contained, performance rated "plug" refrigeration systems

Natural, environmentally safe, high efficiency R-290 refrigerant<sup>1</sup>

Refrigeration system is readily accessible on top of cabinet, separate from the "food zone"

Automatic, hot gas condensate evaporator

Expansion valve system

### CABINET ARCHITECTURE

3" non-CFC polyurethane foam insulation

Smooth, polished chrome workflow door handles

Cam action, lift off hinges

Self-closing doors

Magnetic snap in Santoprene™ door gaskets

Cylinder lock in each door

Heavy duty, epoxy coated steel shelves

Heavy duty pilaster strips

6" adjustable stainless steel legs

### MODEL FEATURES

LED interior lighting

Electronic controllers with digital display & hi-low alarm

Top and side air distribution ducts

Cabinet upper side panels and refrigeration "plug" system can be removed and reinstalled at job site

Off-cycle defrost (refrigerator section)

Automatic electric defrost (freezer section)

APPROVAL:

# Model Specifications

## DIMENSIONAL DATA

Net Capacity (cubic feet)	50/21 (1416/595 cu l)
Width, Overall (inches)	85 1/2 (2172 mm)
Depth, Overall (inches) (including handles)	35 3/8 (899 mm)
Depth (inches) (less doors)	32 (813 mm)
Depth (inches) (doors open 90°)	58 (1473 mm)
Clear Door Width (inches)	21 7/8 (556 mm)
Clear Half Door Height (inches)	27 1/2 (699 mm)
Height, Overall (inches) (including 5" casters)	82 1/4 (2089 mm)
Number of Doors	3
Number of Shelves	9
Shelf Area (square feet) (per section)	20.4 (1.9 sq m)
Tray Slide Capacity (per half section)	11

## REFRIGERANT DATA

Condensing Unit Size (H.P.)	1/4, 1
Capacity (BTU per hour)*	1940 / 2470

## ELECTRICAL DATA

Voltage (International)	115/60/1 (220/50/1)
Feed Wires (including ground)	3 / 3
Total Amps (International)	5.1 (3.7) / 8.5 (5.7)
Defrost Amps (International)	5.2 (2.6)
(2) 10 ft. Cord/Plug [attach.] (International)	Yes (No)

## SHIPPING DATA

Height - Crated (inches)	85 1/2 (2172 mm)
Width - Crated (inches)	90 (2286 mm)
Depth - Crated (inches)	42 (1067 mm)
Volume - Crated (cubic feet)	181 (5125 cu l)
Weight Std - Crated (pounds)	885 (401 kg)
Weight SS - Crated (pounds)	995 (451 kg)

\* Rating @ +25°F evaporator, 90°F ambient (refrigerator)

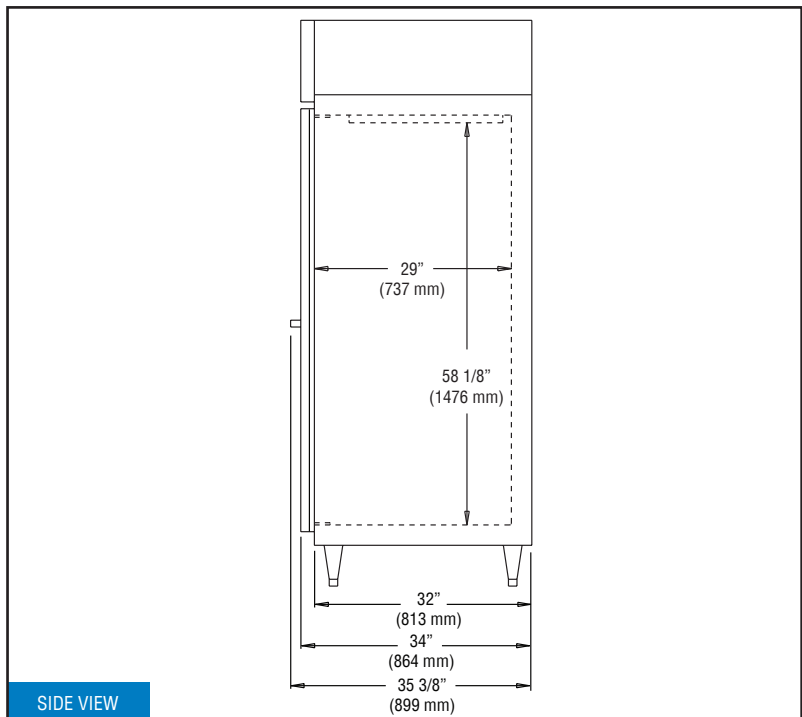
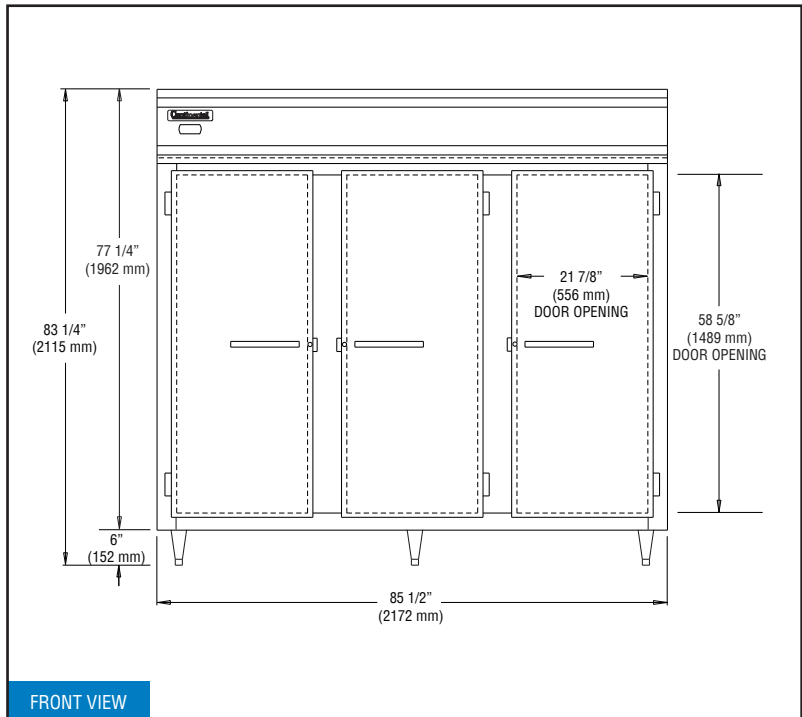
\* Rating @ -15°F evaporator, 90°F ambient (freezer)

Figures in parentheses reflect metric equivalents rounded to the nearest whole unit.



Equipped with two NEMA-5-15P Plugs  
(varies by country)

# Model Plan Views



**IMPORTANT NOTE:** If the cabinet is located directly against a wall and/or under a low ceiling, a minimum clearance of 12" is required on top and 3" on sides and rear.

**Continental**  
Refrigerator

Toll-Free: 800-523-7138  
Phone: 215-244-1400  
Fax: 215-244-9579

539 Dunksferry Road  
Bensalem, PA 19020  
[www.continentalrefrigerator.com](http://www.continentalrefrigerator.com)

Due to our continued efforts in developing innovative products, specifications subject to change without notice.

